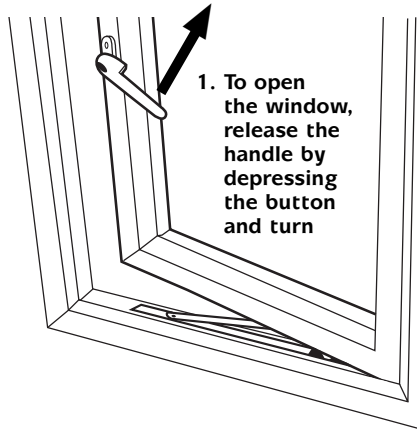


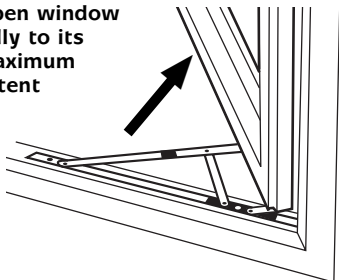
FOR YOUR INFORMATION AND SAFETY

This window has been fitted with a Multi-purpose opening hinge. The following information explains how to operate the hinge and window safely.

A TO OPEN FULLY TO EGRESS

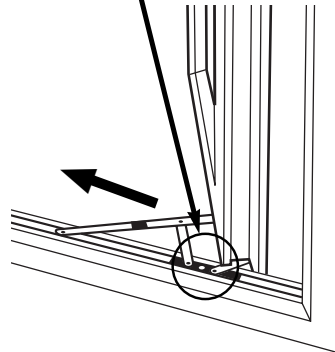


2. Open window fully to its maximum extent



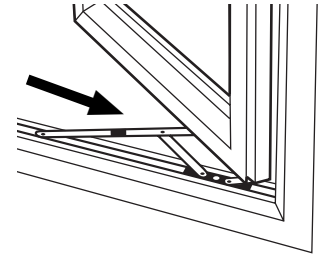
B TO OPEN TO EASY CLEAN

1. Release friction screw in black slider by turning anti-clockwise (do not remove)



2. Apply pressure to frame and slide window to easy clean position

C TO RESET HINGE

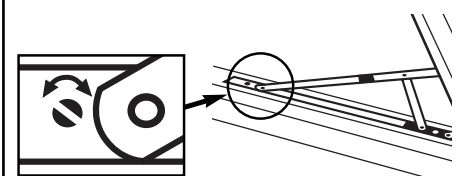


1. Apply pressure to frame and slide window back to egress position



2. Re-tighten friction screw in black slider by turning clockwise (do not over-tighten)

D TO SET FRICTION



Adjust friction screw in green slider to allow for smooth operation of hinge