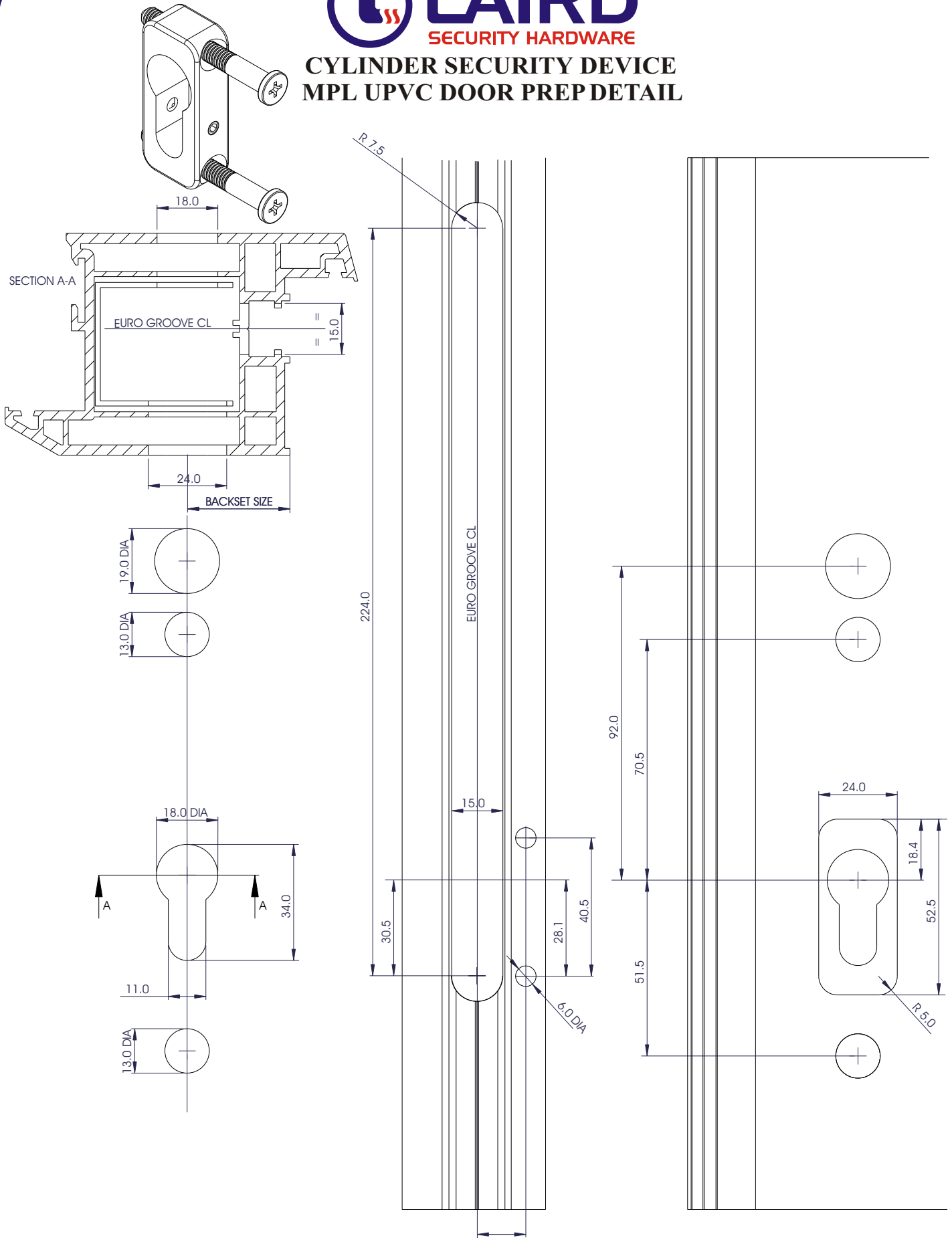


DCLSCO0007



CYLINDER SECURITY DEVICE MPL UPVC DOOR PREP DETAIL



TECHNICAL SERVICE CENTRE
Tel. 0121 224 6002 Fax. 0121 520 8449